

◆FEATURE

- High-precision rotary type encoder.
- Compact design, long life and high reliability.
- Low cost as compared with optical type.
- Available in a wide variety of line up to meet all user needs.

◆APPLICATIONS

- All kinds of level control, tuning and timer setting in audio-visual equipment, ordinary household electric appliances, radio equipment, communications equipment, etc.

◆ COMMON SPECIFICATIONS

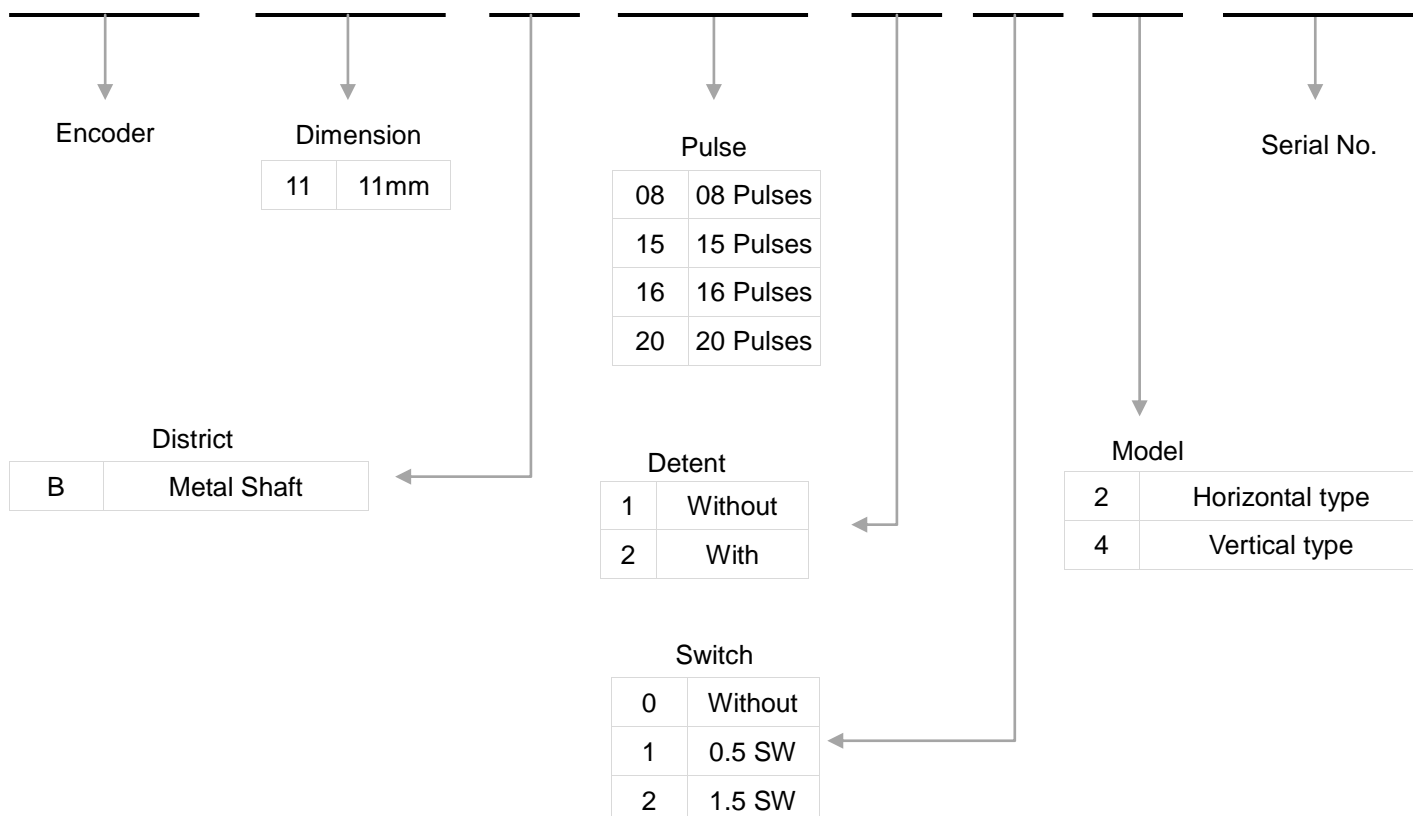
| Pulse | Number of detent | Phase difference (msec) | Chattering (msec) | Sliding noise (msec) | Insulation resistance | Dielectric strength | Detent torque (gf · cm) | Rotational life (cycle) |
|-------|------------------|-------------------------|-------------------|----------------------|-----------------------|---------------------|--------------------------------------|-------------------------|
| 8 | 0 | 6 | 3 | 3 | 250V DC 100MΩ MIN | 300V AC 1 min | 30~200 (0 DETENT: 50gf · cm以下) | 15,000 |
| | 16 | | | | | | | |
| 15 | 0 | 6 | 2 | 2 | | | | |
| | 30 | | | | | | | |
| 16 | 0 | 4 | 3 | 3 | | | | |
| | 16 | | | | | | | |
| 20 | 0 | 4 | 2 | 2 | | | | |
| | 20 | | | | | | | |

◆ SWITCH SPECIFICATIONS

| Rating | Contact resistance | Insulation resistance | Dielectric strength | Contact arrangement | Travel of switch (mm) | Operating force (gf) | Operating life(cycle) |
|------------|--------------------|-----------------------|---------------------|---------------------|-----------------------|----------------------|-----------------------|
| DC 5V10 mA | 100 mΩ | 250V DC 100MΩ MIN | 300V AC 1 min | PUSH ON | 0.5 | 600±300 | 20,000 |
| | | | | | 1.5 | 400±200 | |

◆ PRODUCT NUMBERING SYSTEM

| | | | | | | | | | | | |
|---|---|---|---|---|---|---|---|---|---|---|---|
| D | C | 1 | 1 | B | 2 | 0 | 2 | 1 | 4 | 0 | 1 |
|---|---|---|---|---|---|---|---|---|---|---|---|



◆ BUSHING & SHAFT TYPE

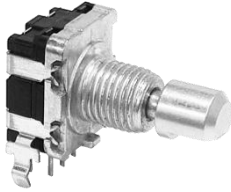
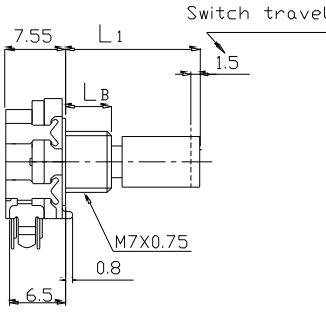
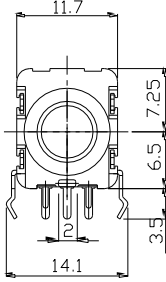
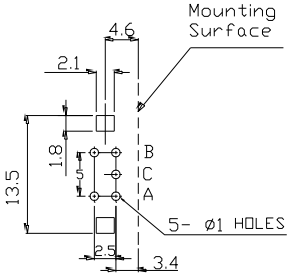

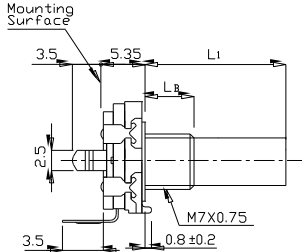
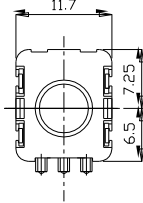
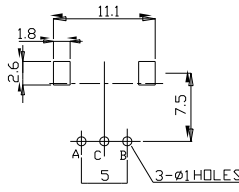
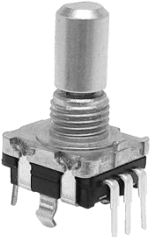
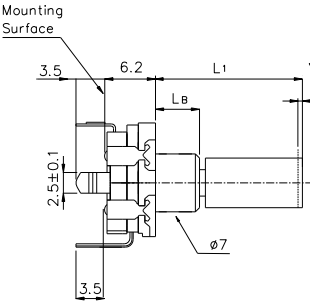
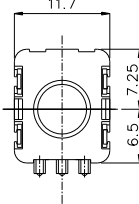
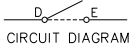
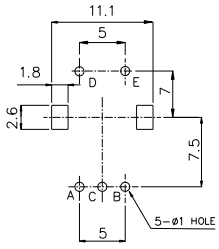

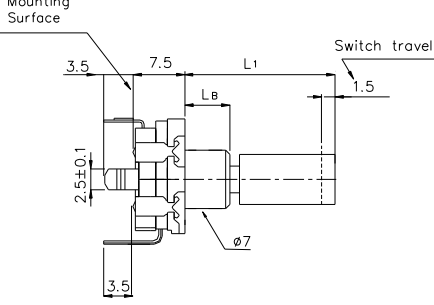
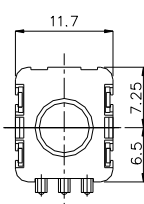
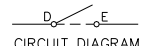
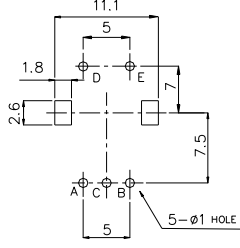
| Bushing | Flat | Knurled |
|---------|------|---------|
| | | |
| | | |

◆ STANDARD DIMENSION OF SHAFT AND BUSHING

| Dimension | LB | L1 |
|-----------|----|---------|
| | 5 | 15 · 20 |
| | 7 | 20 · 25 |
| | 5 | 15 · 20 |
| | 7 | 20 · 25 |

DIMENSIONS Unit : mm

| Model | Dimensions | | |
|--|------------|--|---|
| DC11B2020 horizontal type | | | <p>MOUNTING HOLE DETAIL VIEWED FROM MOUNTING SIDE</p> |
| DC11B20212 with push on switch -0.5mm horizontal type | | | <p>MOUNTING HOLE DETAIL VIEWED FROM MOUNTING SIDE</p> |

| Model | Dimensions | | |
|---|---|--|---|
| <p>DC11B2022 with push on switch –1.5mm horizontal type</p>  |  |  |  <p>MOUNTING HOLE DETAIL VIEWED FROM MOUNTING SIDE</p> |
| <p>DC11B20204 vertical type</p>  |  |  |  <p>MOUNTING HOLE DETAIL VIEWED FROM MOUNTING SIDE</p> |
| <p>DC11B20214 with push on switch –0.5mm vertical type</p>  |  |  <p>CIRCUIT DIAGRAM </p> |  <p>MOUNTING HOLE DETAIL VIEWED FROM MOUNTING SIDE</p> |
| <p>DC11B20224 with push on switch –1.5mm vertical type</p>  |  |  <p>CIRCUIT DIAGRAM </p> |  <p>MOUNTING HOLE DETAIL VIEWED FROM MOUNTING SIDE</p> |