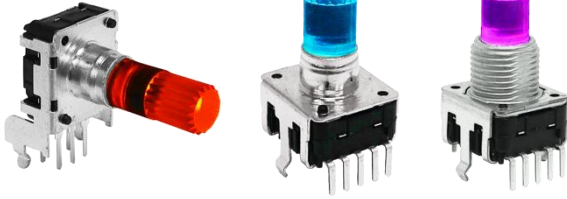


NEW



◆ FEATURE

- High-precision rotary type encoder.
- Compact design, long life and high reliability.
- High brightness for working in darkness.

◆ APPLICATIONS

- All kinds of level control, tuning and timer setting in audio-visual equipment, ordinary household electric appliances, radio equipment, communications equipment, etc.

◆ COMMON SPECIFICATIONS

Pulse	Number of detent	Phase difference (msec)	Chattering (msec)	Sliding noise (msec)	Insulation resistance	Dielectric strength	Detent torque (gf · cm)	Rotational life (cycle)
12	0	4	3	2	250V DC 100MΩ MIN	300V AC 1 min	30~200 (0 DETENT: 50gf · cm以下)	30,000
	12							
	24							
24	0	3.5	3	2				
	24							

◆ SWITCH SPECIFICATIONS

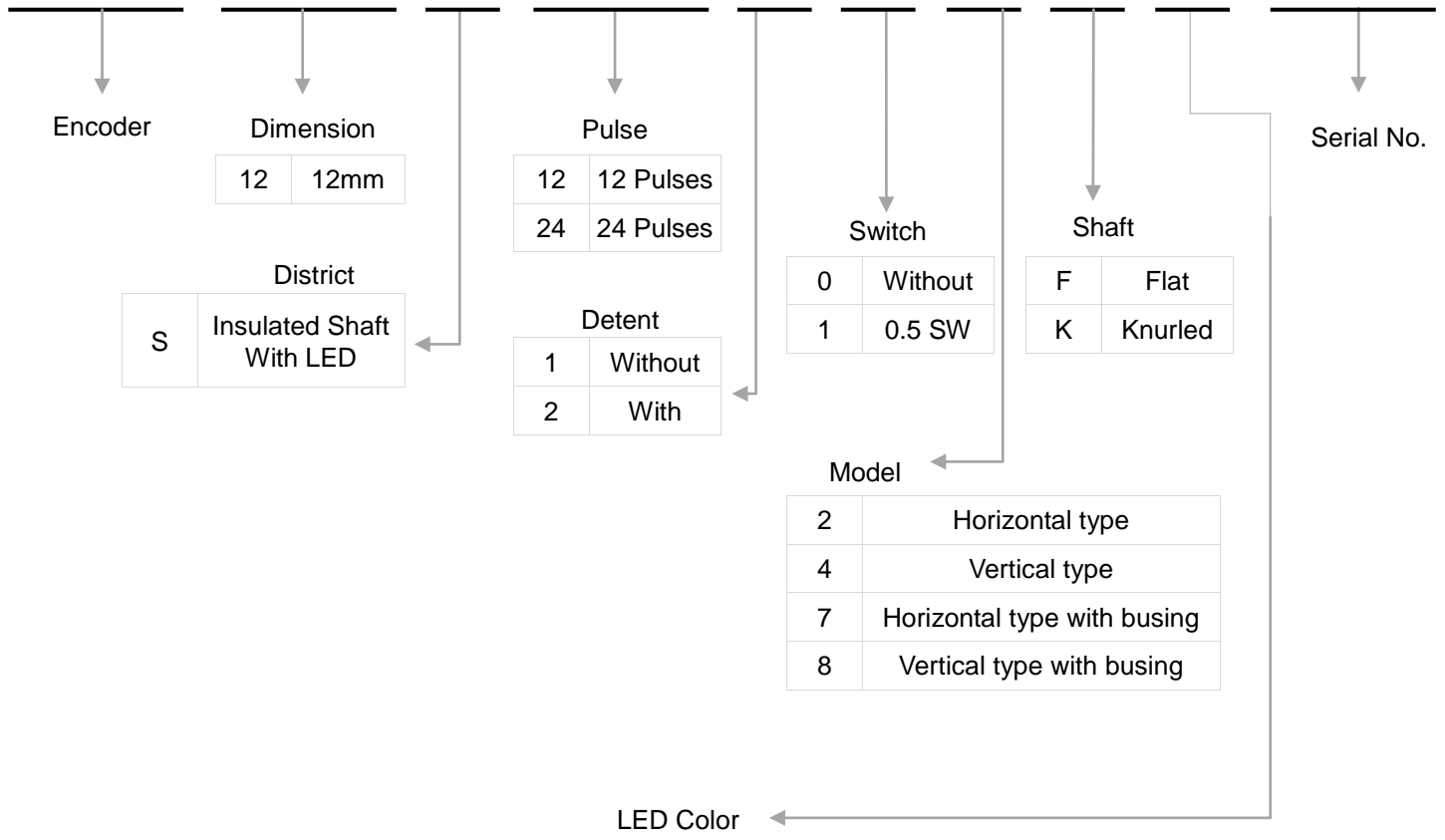
Rating	Contact resistance	Insulation resistance	Dielectric strength	Contact arrangement	Travel of switch (mm)	Operating force (gf)	Operating life (cycle)
DC 5V 10 mA	100 mΩ	250V DC 100MΩ MIN	300V AC 1 min	PUSH ON	0.5 +0/-0.3	450±200	20,000

◆ LED SPECIFICATIONS

Emitted color		
Single color LED	Two colors LED	Three colors LED
Red	Blue / Orange	Red / Green / Blue
Lawngreen	Green / Red	
Blue	Blue / Green	
Orange	Red / Green	
White	Green / Orange	
Green	Blue / Red	
Darkorange	White / Red	
	White / Green	

◆ PRODUCT NUMBERING SYSTEM

D	C	1	2	S	2	4	2	1	4	K	A	0	1
---	---	---	---	---	---	---	---	---	---	---	---	---	---



Single Color		Two Colors		Three Colors	
0	Red	A	Blue / Orange	M	Red / Green / Blue
1	Lawn green	B	Green / Red		
2	Blue	C	Blue / Green		
3	Orange	D	Red / Green		
4	White	E	Green / Orange		
5	Green	F	Blue / Red		
6	Dark orange	I	White/ Red		
		J	White/ Green		

◆ STANDARD DIMENSION OF SHAFT AND BUSHING

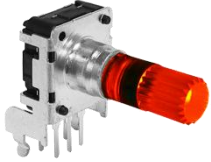
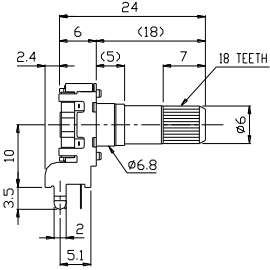
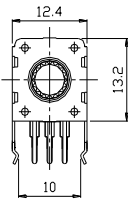
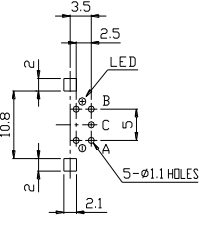

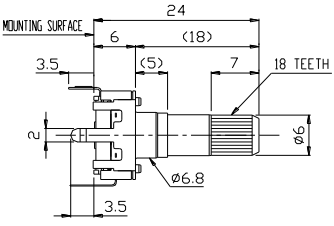
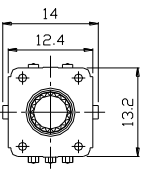
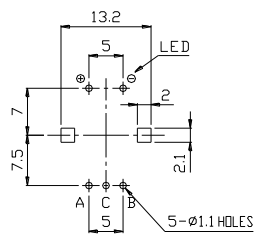
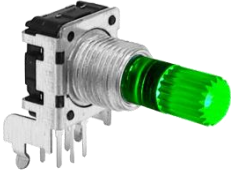
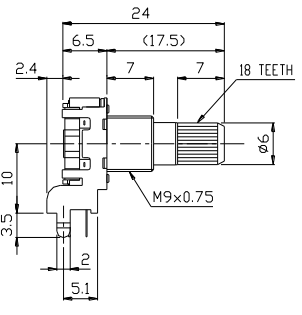
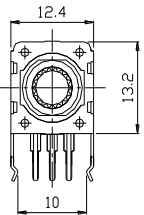
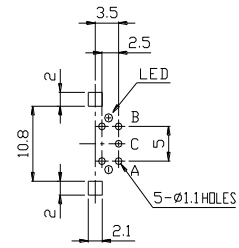

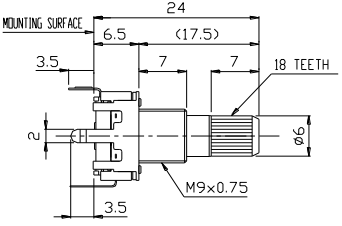
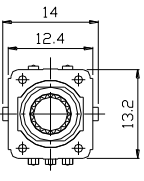
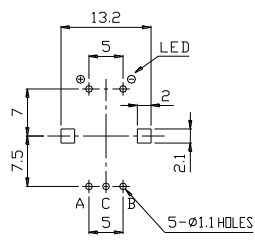
Knurled Type

With single colors LED	With two colors of LED & 0.5mm Switch Stroke With three colors of LED & 0.5mm Switch Stroke	With Bushing (With single colors LED)	With Bushing (With two colors of LED & 0.5mm Switch Stroke) (With two colors of LED & 0.5mm Switch Stroke)
LM	LM	LM	LM
24	25	24	25

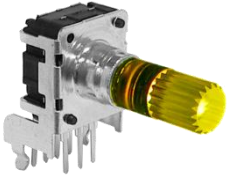
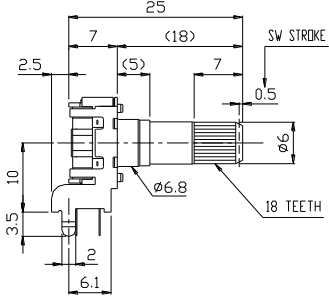
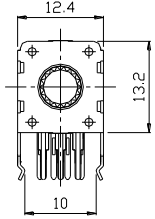
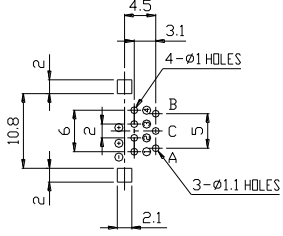
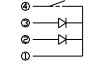

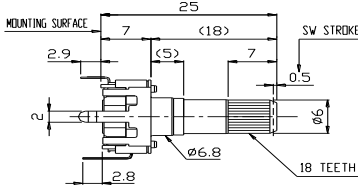
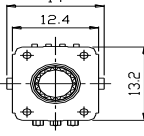
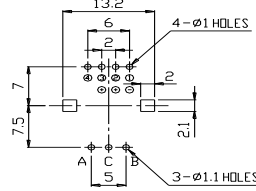
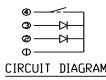
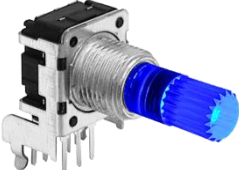
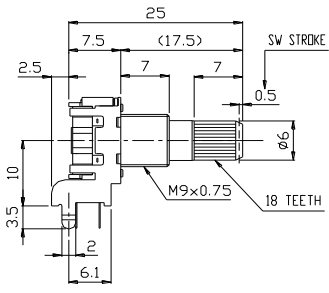
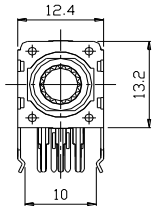
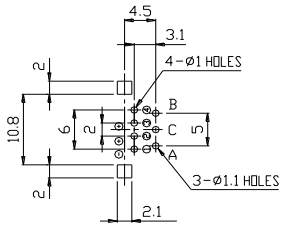
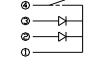

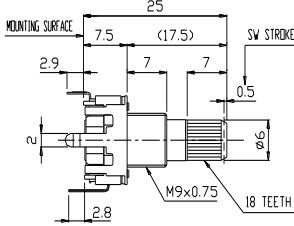
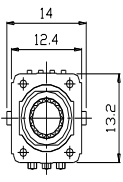
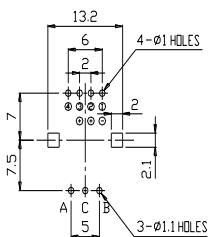
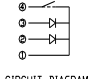
Flat Type

With single colors LED	With two colors of LED & 0.5mm Switch Stroke With three colors of LED & 0.5mm Switch Stroke	With Bushing (With single colors LED)	With Bushing (With two colors of LED & 0.5mm Switch Stroke) (With two colors of LED & 0.5mm Switch Stroke)								
LM	L1	LM	L1	LM	LB	L1	L2	LM	LB	L1	L2
15	3	16	3	15	5	8.5	3	16	5	8.5	3
17.5	5	18.5	5	17.5	5	11	5	18.5	5	11	5
20	7	21	7	20	5	13.5	7	21	5	13.5	7
25	12	26	12	25	5	18.5	12	26	5	18.5	12
30	12	31	12	30	7	23.5	12	31	7	23.5	12


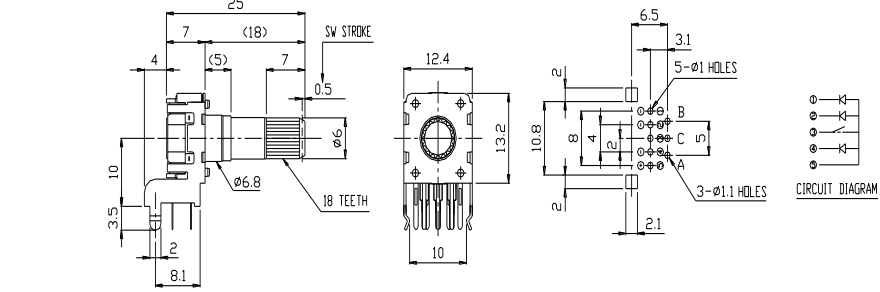

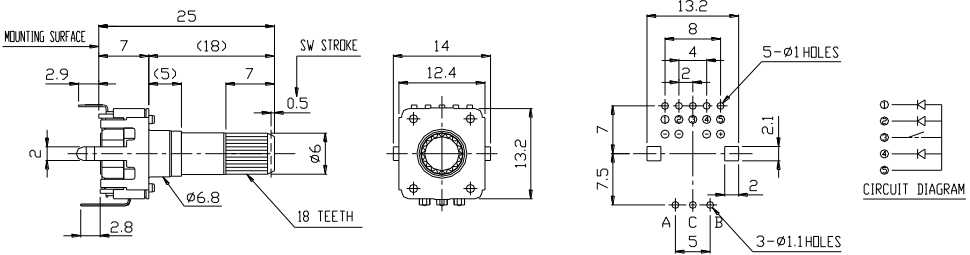
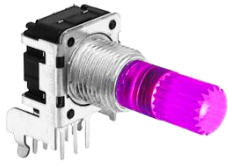
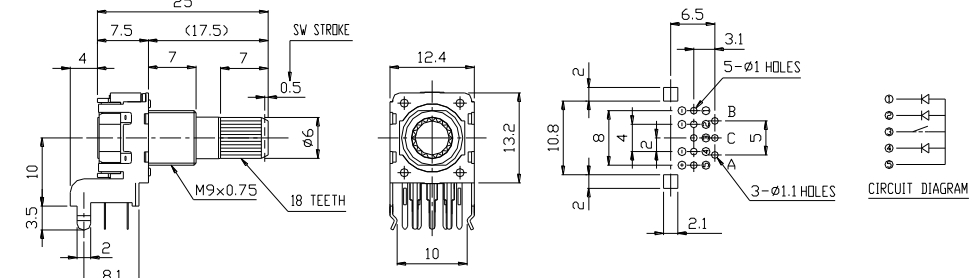
DIMENSION Unit : mm

Model	Dimensions		
<p>DC12S24202 with single LED horizontal type</p> 			
<p>DC12S24204 with single LED vertical type</p> 			
<p>DC12S24207 with single LED & with bushing horizontal type</p> 			
<p>DC12S24208 with single LED & with bushing vertical type</p> 			

DIMENSION Unit : mm

Model	Dimensions		
<p>DC12S24212 With two colors of LED & push on switch –0.5sw horizontal type</p> 			 <p>CIRCUIT DIAGRAM</p> 
<p>DC12S24214 With two colors of LED & push on switch –0.5sw vertical type</p> 			 <p>CIRCUIT DIAGRAM</p> 
<p>DC12S24217 With two colors of LED & push on switch –0.5sw & with bushing horizontal type</p> 			 <p>CIRCUIT DIAGRAM</p> 
<p>DC12S24218 With two colors of LED & push on switch –0.5sw & with bushing vertical type</p> 			 <p>CIRCUIT DIAGRAM</p> 

DIMENSIONUnit : mm

Model	Dimensions
<p>DC12S24212KM With three colors of LED & push on switch –0.5sw horizontal type</p> 	
<p>DC12S24214KM With three colors of LED & push on switch –0.5sw vertical type</p> 	
<p>DC12S24217KM With three colors of LED & push on switch –0.5sw & with bushing horizontal type</p> 	
<p>DC12S24218KM With three colors of LED & push on switch –0.5sw & with bushing vertical type</p> 