

◆ FEATURE

- Sound volume, quality and balance control for car audio system and other audio system

◆ APPLICATIONS

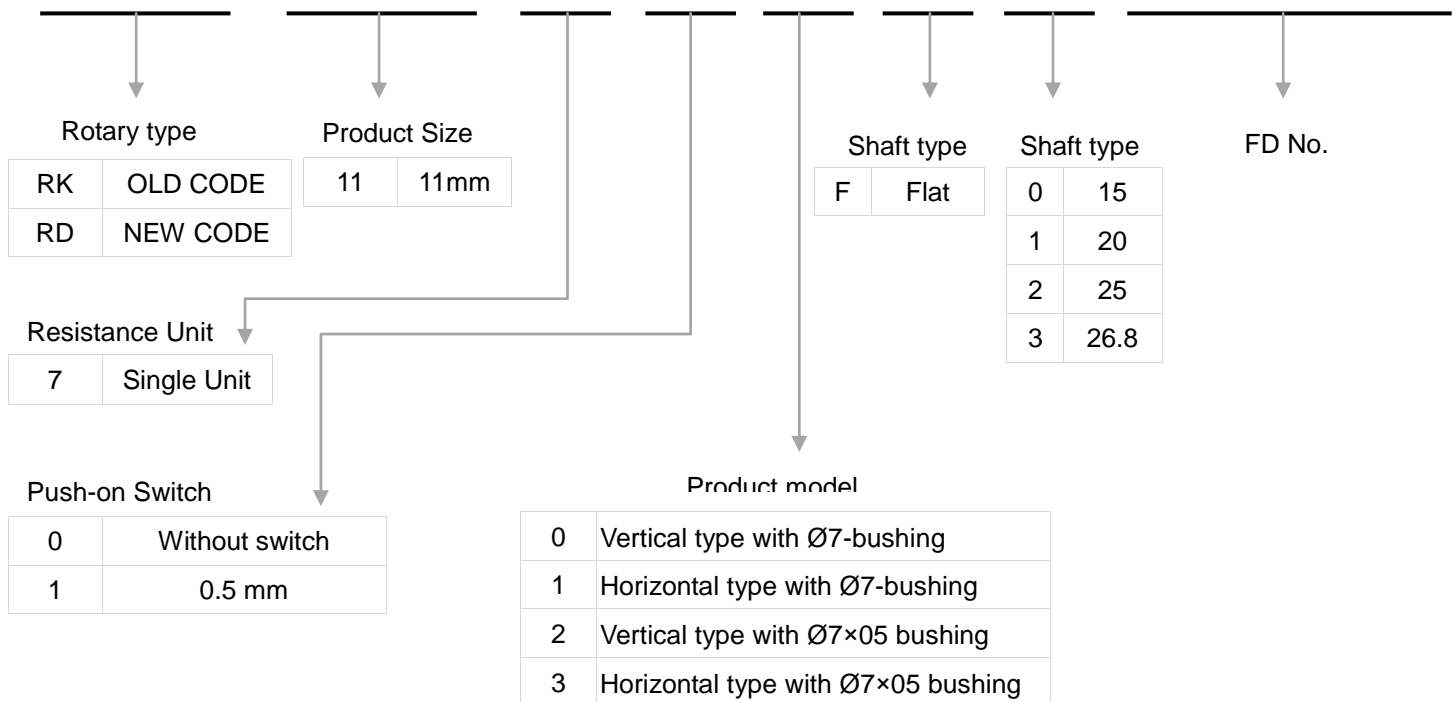
- Low profile type with 0.5mm travel push-on switch. Solder able with auto dipping.

◆ COMMON SPECIFICATIONS

Items		Specification
Total rotational angle	General	300±5°
	Shaft moving type	300+10°/-5°
Rotational torque		20~250gf.cm
Total resistance (KΩ)		5,10,20,50,100,250
Total resistance tolerance		±20%
Rated power		0.05W
Resistance taper		A, B, C, D, E, K, W, RD, M, N
Maximum operating Voltage		50V AC 10V DC
Rotation life		15,000 cycles

◆ PRODUCTS NUMBERING SYSTEM

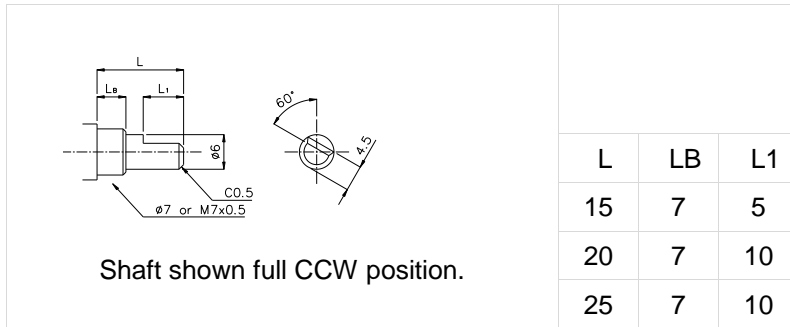
R	D	1	1	7	1	0	F	0	0	0	1
---	---	---	---	---	---	---	---	---	---	---	---



ROTARY POTENTIOMETERS


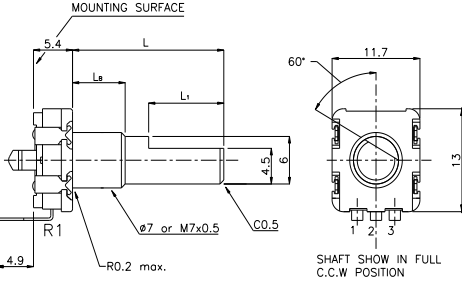
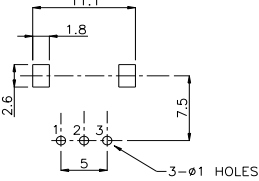
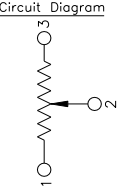

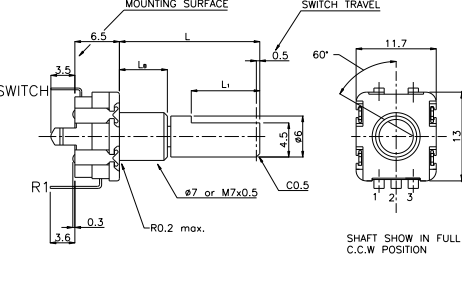
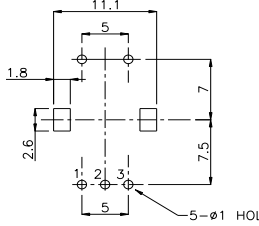
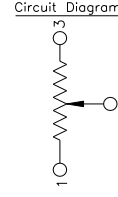
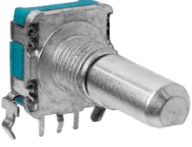
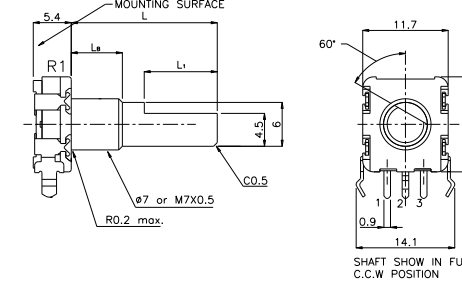
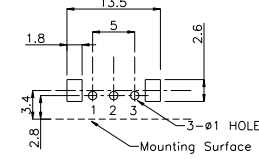
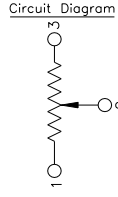
11mm Size Metal Shaft Potentiometers

◆ DIMENSIONS OF SHAFT



DIMENSIONS

Unit: mm

Model	Dimensions
Vertical type RD11700F 	  
Vertical type With 0.5mm Push-on SW RD11710F 	  
Horizontal type RD11701F 	  
Horizontal type With 0.5mm Push-on SW RD11711F 