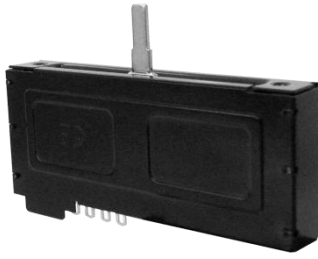


# SLIDE POTENTIOMETER

## Long Life Rail Master Type

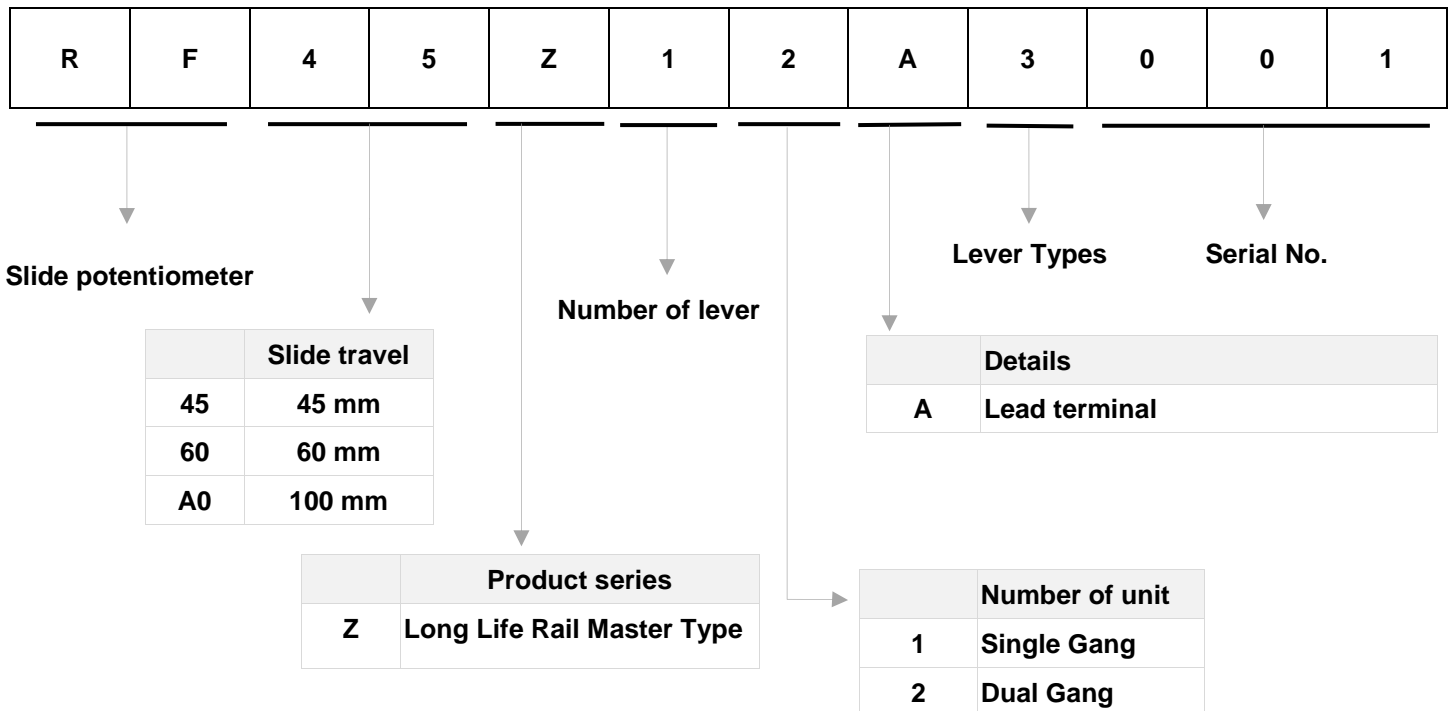


### ◆ FEATURE

- Excellent operation feeling and high-precision characteristics.
- Low residual resistance
- Long life : 1,000,000 cycles

### ◆ APPLICATIONS

- Fader control in mixer and high grade audio.



### ◆ COMMON SPECIFICATIONS

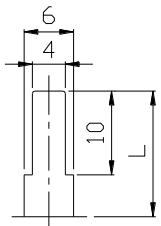
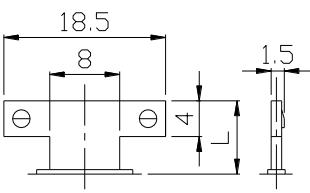
| Characteristics             | Specification        |
|-----------------------------|----------------------|
| Operating temperature range | -10°C to +70°C       |
| Storage temperature range   | -30°C to +70°C       |
| Operating force             | 20 gf max.           |
| Total resistance (KΩ)       | 10、20、50、100、250、500 |
| Total resistance tolerance  | ±20%                 |
| Residual resistance         | 1Ω max.              |
| Resistance taper            | A,B,C                |
| Insulation resistance       | 100MΩ min.           |
| Slider noise                | 47mV min.            |
| Lever deviation             | 0.5mm(One side)      |
| Voltage proof               | 1 minute 1000V AC    |
| Maximum operating voltage   | A.C 350V/D.C 20V     |
| Sliding service life        | 1,000,000 cycles     |

# SLIDE POTENTIOMETER

## Long Life Rail Master Type

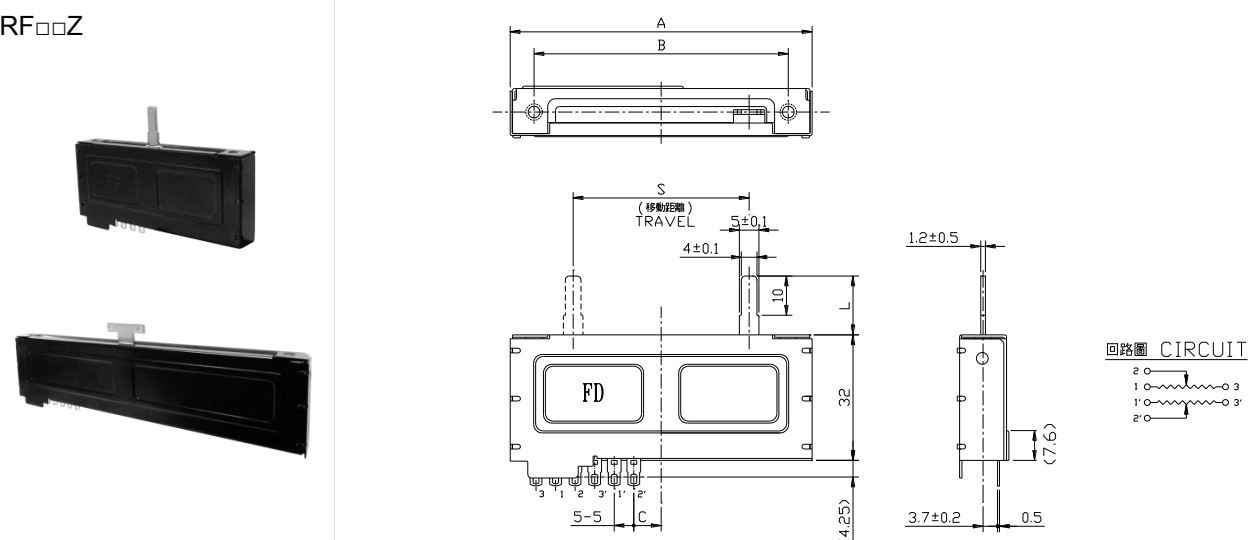
### ◆ LEVER TYPES

Unit : mm

| Material   | Metal lever   |  |
|------------|---|--|
| Lever type | 3   | 9  |
| Dimensions | t=1.2   |  |
|            |  |  |
| Length (L) | 11  | 8.2  |

### DIMENSIONS

Unit : mm

| Model | Dimensions   |
|-------|--|
| RF□□Z |  |

#### P.C.B Mounting hole detail

| Model | Dimensions | S   | A<br>(S+32.5) | B<br>(S+20) | C    |
|-------|------------|-----|---------------|-------------|------|
| RF45Z |            | 45  | 77.5          | 65          | 7    |
| RF60Z |            | 60  | 92.5          | 80          | 14.5 |
| RFA0Z |            | 100 | 132.5         | 120         | 34.5 |