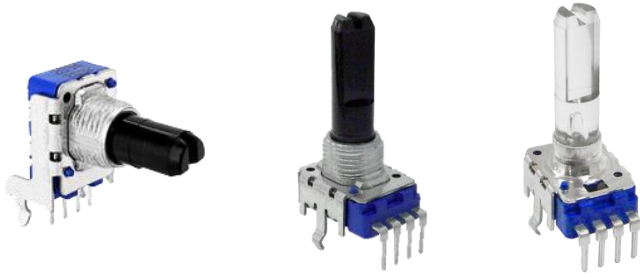


11mm Size Snap-in Insulated Shaft Potentiometers



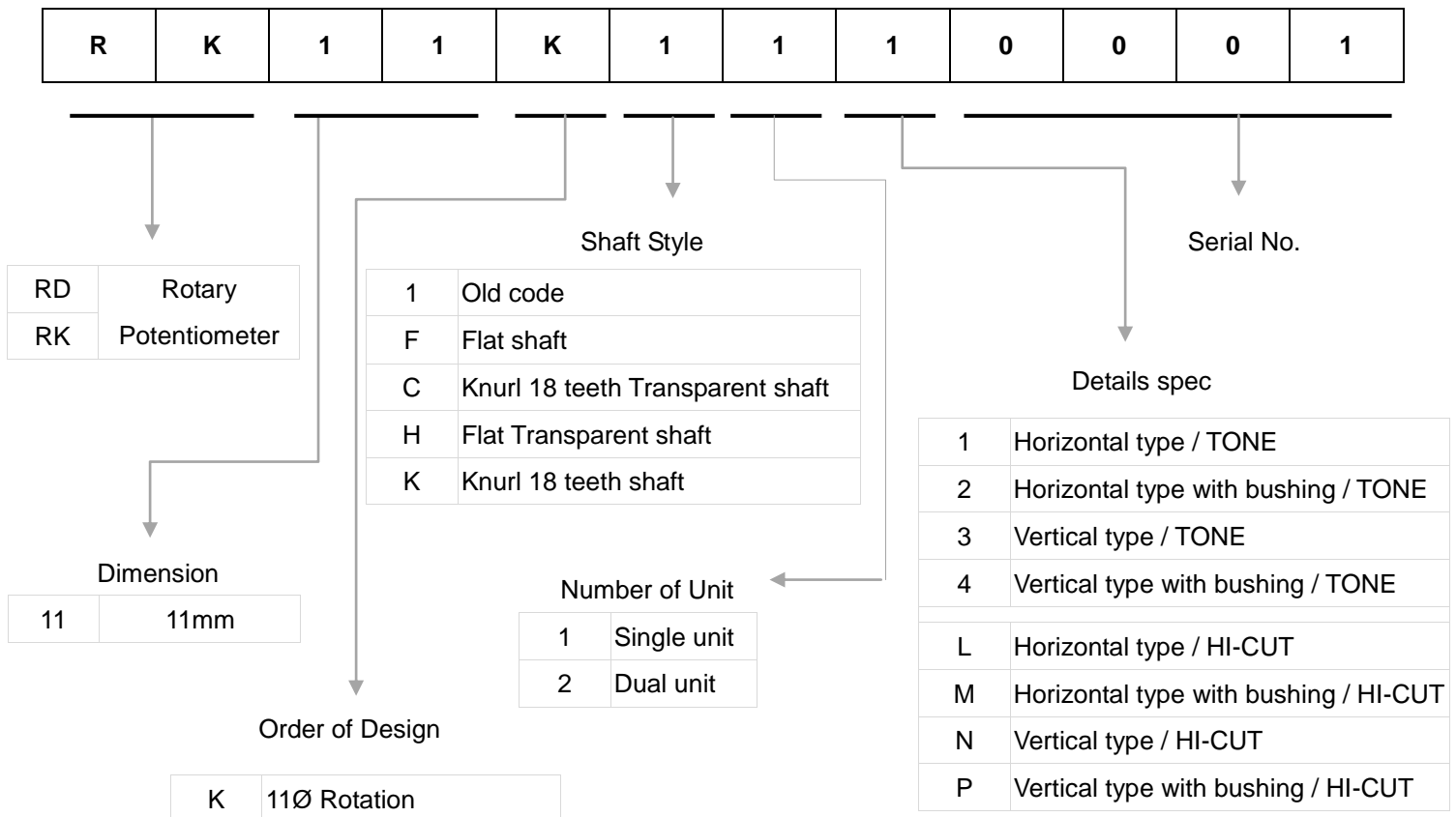
◆ FEATURE

- Insert-molding with resin applied around the resistor assures high flux resistance.
- Since a variety of types are available, they can be used for a wide range of products including audio equipment.
- Units can be provided with bushing, tap and detent.

◆ APPLICATIONS

- Various potentiometers for radios, radios-cassette recorders, amplifier-mixers, etc.

◆ PRODUCTS NUMBERING SYSTEM



11mm Size Snap-in Insulated Shaft Potentiometers

◆ COMMON SPECIFICATIONS

Application	11mm size	
	Single-unit	Dual-unit For high-cut tone
Total resistance (KΩ)	5、10、20、50、100、250、500	5、10、20、50、100、250、500
Total resistance Tolerance	±20%	±20%
Resistance taper	A、B、C、D、E、K、W	A、B、C
Power rating	0.05W	Max. Operating Current 1mA. AC
Max operating Voltage	50V A.C 20V D.C	50V A.C For A.C only
Rotational angle	300±5°	
rating torque	30~200gf-cm	
Bushing nut tightening strength	10Kgf-cm min.	
Rotational Life	15,000 cycles	15,000 cycles

◆ PRODUCTS LINE

Size (mm)	Type	Type	Model	Bushing	Center Detent	Center Tap	Mounting Height (mm)	Applications	For DC Use
11	Single unit	Horizontal	RK11K111	—	✓	✓	10、12.5	General Purpose	20V DC
			RK11K112	✓	✓	✓			
		Vertical	RK11K113	—	✓	✓	—		
			RK11K114	✓	✓	✓			
	Dual unit	Horizontal	RK11K12L	—	✓	—	10、12.5	for high-cut tone	—
			RK11K12M	✓	✓	—			
		Vertical	RK11K12N	—	✓	—	—		
			RK11K12P	✓	✓	—			

ROTARY POTENTIOMETERS

11mm Size Snap-in Insulated Shaft Potentiometers

◆ **STANDARD DIMENSION OF SHAFT AND BUSHING**

Unit : mm.

Flat Type

Without Bushing						With Bushing					
Horizontal		Vertical		Vertical		Horizontal		Vertical		Vertical	
L1	L2	L1	L2	L1	L2	L1	L2	L1	L2	L1	L2
15	4.5	15	4.5								
20	7	20	7	20	7	12.5	7	12.5	7		
22.5	7	22.5	7	22.5	7	15	7	15	7		
25	12	25	12	25	12	17.5	12	17.5	12		
27.5	12	27.5	12	27.5	12	20	12	20	12		
30	12	30	12	30	12	22.5	12	22.5	12		
						25	12	25	12		
						30	12	30	12		

Knurled Type

Without Bushing						With Bushing					
Horizontal		Vertical		Vertical (With collar)		Horizontal		Vertical		Vertical	
L1	L2	L1	L2	L1	L2	L1	L2	L1	L2	L1	L2
20	7	20	7	20	7	12.5	7	12.5	7		
22.5	7	22.5	7	22.5	7	15	7	15	7		
25	7	25	7	25	7	17.5	7	17.5	7		
27.5	12	27.5	12	27.5	12	20	12	20	12		
30	12	30	12	30	12	22.5	12	22.5	12		
						25	12	25	12		
						30	12	30	12		

ROTARY POTENTIOMETERS

11mm Size Snap-in Insulated Shaft Potentiometers

DIMENSIONS


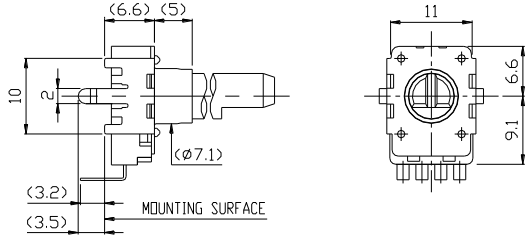
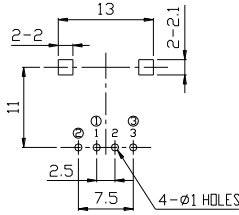
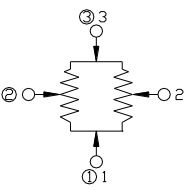

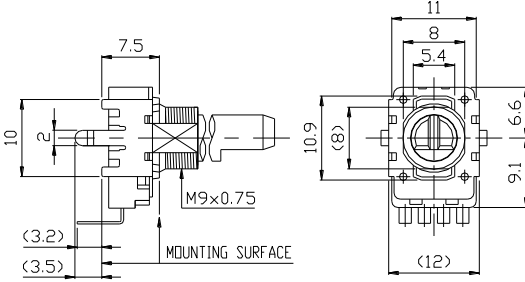
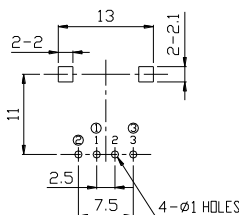
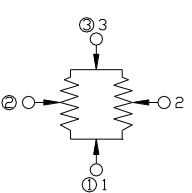
Model	Dimensions	Mounting hole details	Circuit
RK11K111			
RK11K12L			
RK11K112			
RK11K12M			
RK11K113			
RK11K12N			
RK11K114			
RK11K12P			
RK11K113Z			

Unit : mm

ROTARY POTENTIOMETERS

11mm Size Snap-in Insulated Shaft Potentiometers

DIMENSIONS

Model	Dimensions	Mounting hole details	Unit : mm Circuit
RD11K123Z Rotational angle 360° 			
RD11K124Z Rotational angle 360° 			

Resistance taper

