

PUSH SWITCH

SPPJ3 SERIES



◆ FEATURE

- 2.5mm travel
- 5.5mm in lever height from P.C.B
- Printed wiring available

◆ APPLICATIONS

- Audio system
- AP Internet hardware

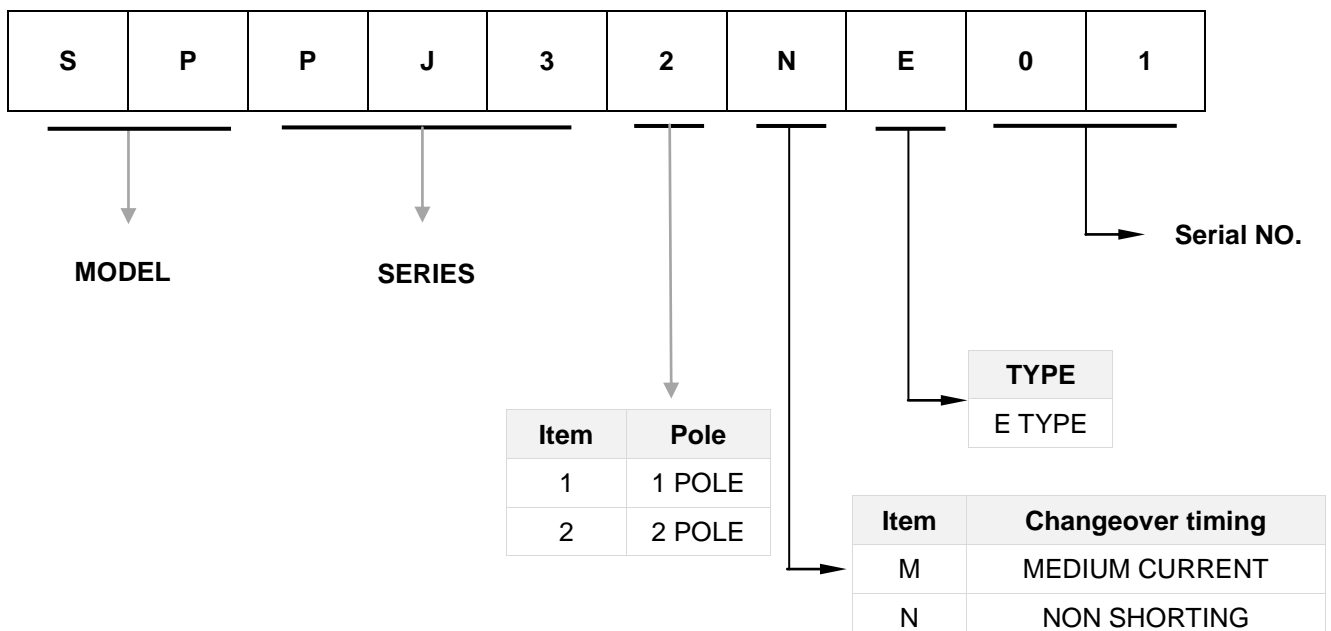
◆ COMMON SPECIFICATIONS

Items	Stand specification
Ratings	0.2A 30V DC
Operating life without load	10,000 cycles
Initial contact resistance	100mΩ max.

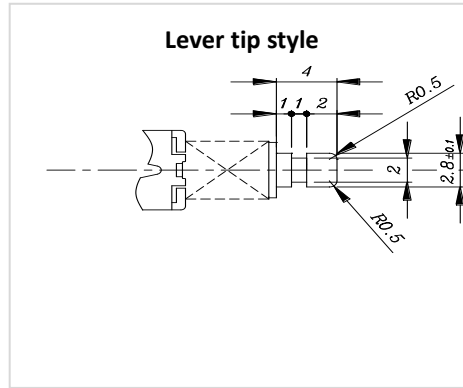
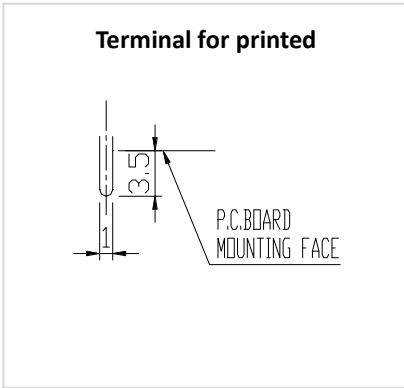
◆ PRODUCTS LINE

Rating	Poles	Position	Changeover timing	Terminal	Operating force	Operating	Travel (mm)	Total travel (mm)	Products No.	Drawing No.
0.2A	1	2	Non-shorting	Printed	230±100gf	Self-lock	2.5	3.5	SPPJ31NE0A	1
						Non lock	-	3.5	SPPJ31NE06	
	2				330±100gf	Self-lock	2.5	3.5	SPPJ32NE01	2
						Non lock	-	3.5	SPPJ32NE06	

◆ PUSH SWITCH PRODUCTS NUMBERING SYSTEM



COMMON SPECIFICATION



DIMENSION

Unit : mm

No	Dimensions	Circuit diagram Viewed from the direction A P.C. board mounting hole dimensions (viewed from the direction A)
1		
2		