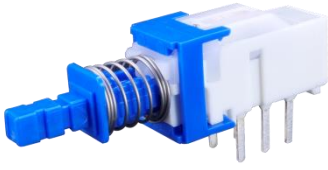


PUSH SWITCH SPUN SERIES



◆ FEATURE

- 2.5mm travel
- 5mm in lever height from P.C.B
- Printed wiring available

◆ APPLICATIONS

- Audio system, TV, Mixer

◆ COMMON SPECIFICATIONS

Items	Stand specification	
Ratings	0.1A 30V DC	1A 25V DC (resistive load)
Operating life without load	10,000 cycles	5,000 cycles
Initial contact resistance	100mΩ max.	

◆ PRODUCTS LINE

Rating	Poles	Position	Changeover timing	Terminal	Operating force	Operating	Travel (mm)	Total travel (mm)	Products No.	Drawing No.
0.1A	2	2	Non-shorting	Printed	200±100gf	Self-lock	2.5	3.5	SPUN19A601	1
1A	4				250±150gf				SPUN19A602	2

◆ PUSH SWITCH PRODUCTS NUMBERING SYSTEM

S	P	U	N	1	2	A	2	0	1
---	---	---	---	---	---	---	---	---	---

MODEL

SERIES

SINGLE KEY

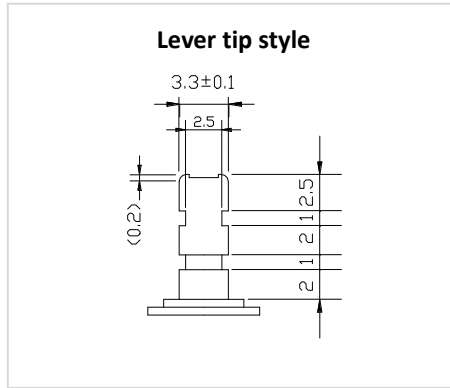
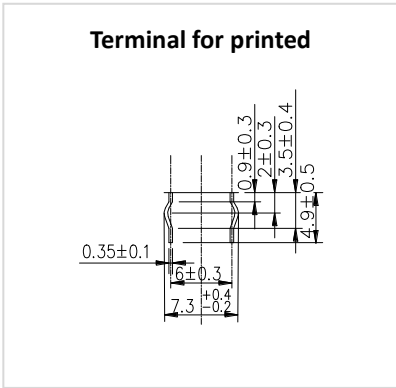
Serial NO.

Item	Key Pitch
2	15mm
9	SPACER

Item	Frame style
0	2-M3×0.5
2	2-3.2Ø
6	SPACER
8	NON MOUNTING HOLE

Item	Specifications
A	STANDARD
C	MEDIUM CURRENT
H	SNAP-IN TERMINAL

COMMON SPECIFICATION



DIMENSION

Unit : mm

No	Dimensions	Circuit diagram Viewed from the direction A P.C. board mounting hole dimensions (viewed from the direction A)
1		
2		