



### ◆ FEATURE ◆ APPLICATIONS

- Provides high-level operation feeling.
- With push-on switch
- Compact and slim
- Long life and high reliability
- Most suitable for all controls of compact and low profile electronic equipment.
- Air conditioners, flat panel TV, remote controllers and various electronics.

### ◆ COMMON SPECIFICATIONS

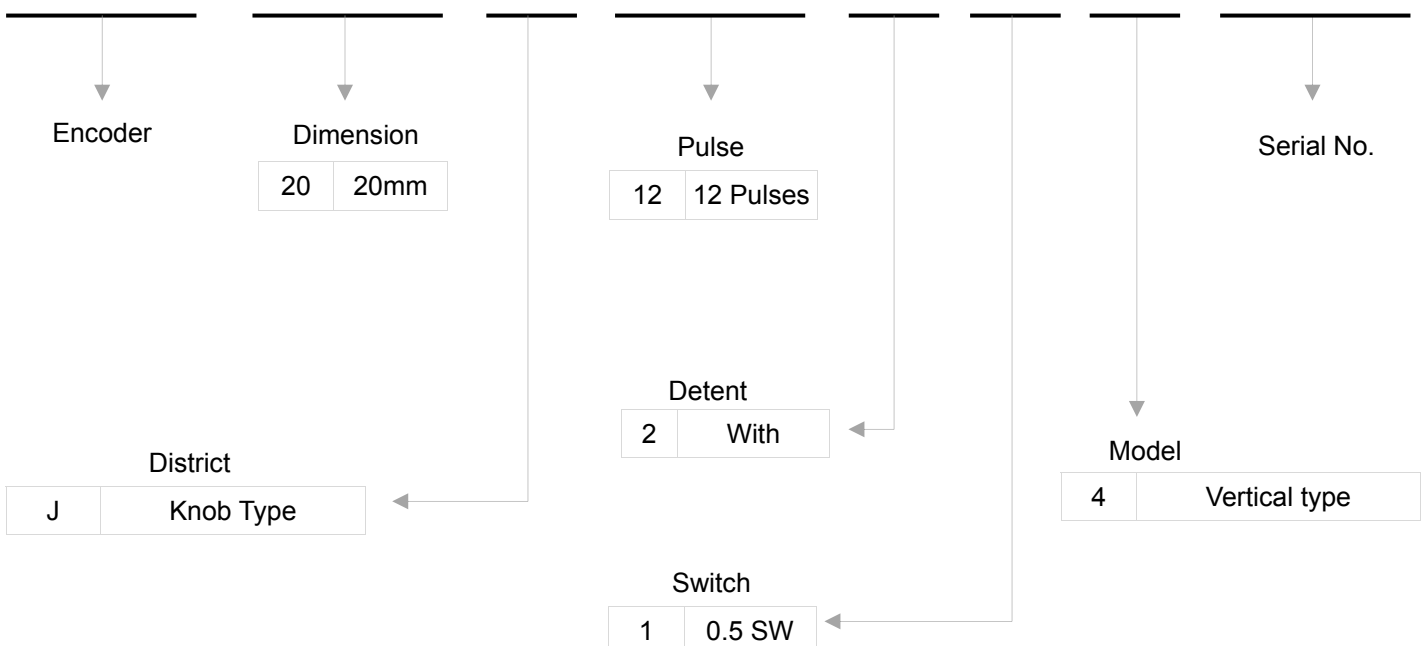
Pulse	Number of detent	Phase difference (msec)	Chattering (msec)	Sliding noise (msec)	Insulation resistance	Dielectric strength	Detent torque (gf · cm)	Rotational life (cycle)
12	24	4	5	3	100V DC 100MΩ MIN.	100V AC 1 min	60 Max	100,000

### ◆ SWITCH SPECIFICATIONS

Rating	Contact resistance	Insulation resistance	Dielectric strength	Contact arrangement	Travel of switch (mm)	Operating force (gf)	Operating life (cycle)
DC 5V 10 mA	300 mΩ	250V DC 100MΩ MIN	300V AC 1 min	PUSH ON	0.3	220±50	1,000,000


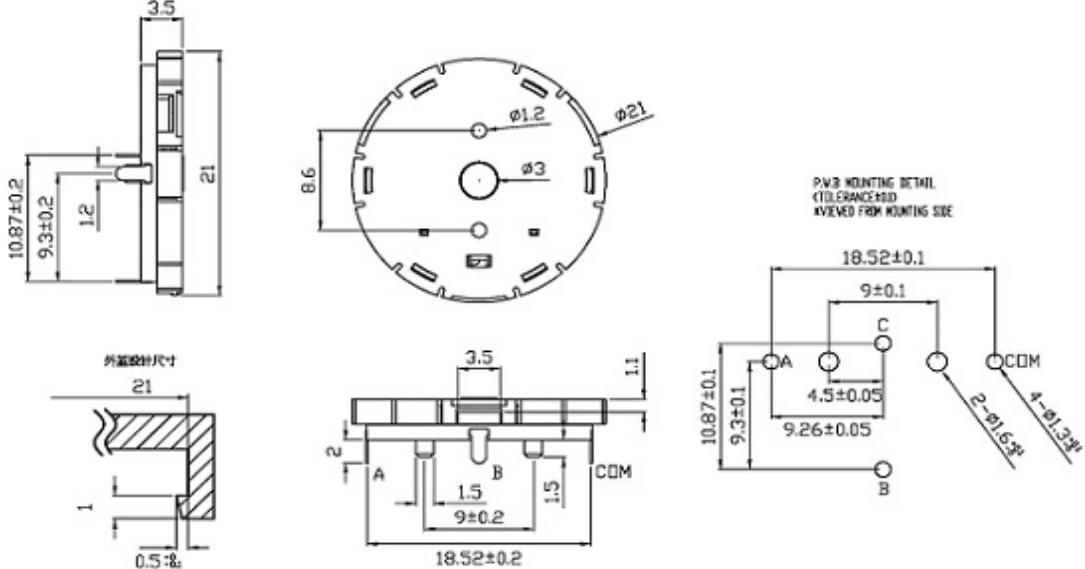
### ◆ PRODUCT NUMBERING SYSTEM

D	C	2	0	J	1	2	2	1	4	0	1
---	---	---	---	---	---	---	---	---	---	---	---



### DIMENSION

Unit : mm

Model	Dimensions
<p><b>DC20J12214</b></p> 	 <p>The technical drawings include:</p> <ul style="list-style-type: none"> <li><b>Side View (Top):</b> Shows a total height of <math>10.87 \pm 0.2</math> mm, a mounting hole diameter of <math>3.5</math> mm, and a main diameter of <math>21</math> mm. A distance of <math>9.3 \pm 0.2</math> mm is marked from the bottom to the start of the main body, and <math>1.2</math> mm is marked for the top section.</li> <li><b>Side View (Bottom):</b> Shows a diameter of <math>21</math> mm and a bottom thickness of <math>0.5 \pm 0.1</math> mm.</li> <li><b>Top View:</b> Shows a circular face with a diameter of <math>21</math> mm, a central hole of <math>\phi 3</math>, and a hole for the knob of <math>\phi 1.2</math>. A distance of <math>8.6</math> mm is marked from the center to the edge.</li> <li><b>Bottom View:</b> Shows a diameter of <math>18.52 \pm 0.2</math> mm, a central hole of <math>3.5</math> mm, and a distance of <math>9 \pm 0.2</math> mm between two points A and B. A distance of <math>1.5</math> mm is marked from the center to point B. A distance of <math>1.1</math> mm is marked for the bottom section.</li> <li><b>PWB Mounting Detail:</b> Shows a PCB layout with a diameter of <math>18.52 \pm 0.1</math> mm. It features three mounting holes labeled A, B, and C. The distance between A and B is <math>9 \pm 0.1</math> mm. The distance from the center to hole A is <math>9.3 \pm 0.1</math> mm. The distance between A and C is <math>4.5 \pm 0.05</math> mm. The distance from the center to hole C is <math>9.26 \pm 0.05</math> mm. The mounting holes are specified as <math>2-\phi 1.6 \pm 0.05</math> and <math>4-\phi 1.3 \pm 0.05</math>.</li> </ul>